

FOAM DENSIFIER FD-25

PRODUCT SHEET



FEATURES:

- ▶ The FD-25 can densify three main types of foam - polystyrene, polyethylene and polypropylene.
- ▶ This FD-25 can process between 200-300 lbs per hour of loose foam depending on the foam type.
- ▶ Volume reduction of the foam is approximately 80 to 1.

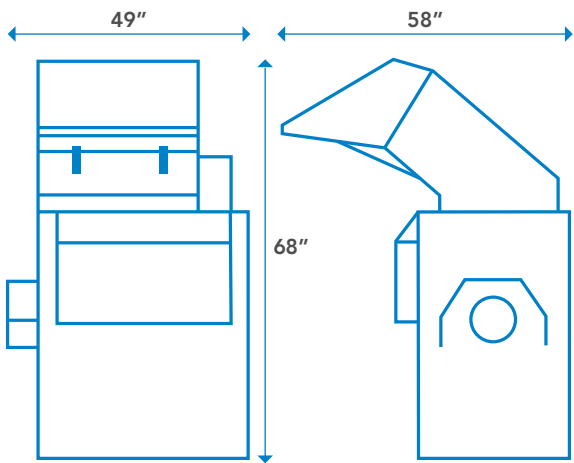
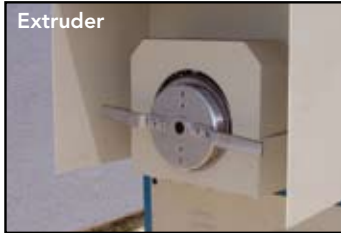
BENEFITS:

- ▶ Recycling to help save our environment.
- ▶ Removal of foam from the waste stream, saving waste hauling and landfill costs.
- ▶ Revenue generation by creating a marketable product for recycling.

- Financing and special programs available.
- One-year warranty on all parts and labor, with loaner program available.
- Rigorous air quality testing for health and environmental safety.

avangardinnovative





FD-25 SPECS

- ▶ Model: FD-25
- ▶ Motor: 25 HP
- ▶ Electrical: 230v/460v, 3 phase
- ▶ Weight: 1600 lbs
- ▶ Capacity Per Hour: 200-300 lbs (foam dependent)
- ▶ Feed Opening: 25.2" x 27.5"

OPTIONAL FEATURES:

- ▶ Photo-eye for automatic shut-off
- ▶ Exhaust Vent Kit

avangardinnovative

PROVIDING SUSTAINABLE SOLUTIONS FOR A BETTER TOMORROW

www.avaicg.com

For more information contact a sales representative:

Avangard Innovative, 11906 Brittmoore Park Drive, Houston, Texas 77041 USA
 Phone: +1.281.582.0700 | Fax: +1.281.582.0799 | Email: equipment@avaicg.com

Printed on recycled paper